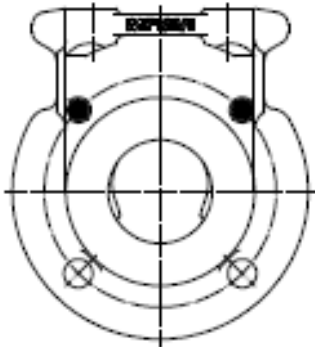


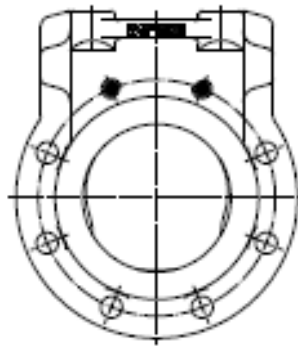
## Flangiatura valvola mod. MF

2.2.7001

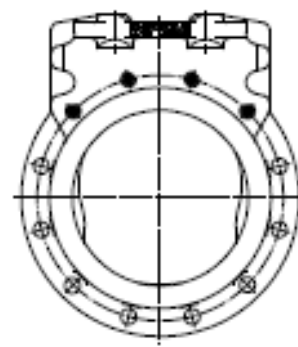
DN 50+65



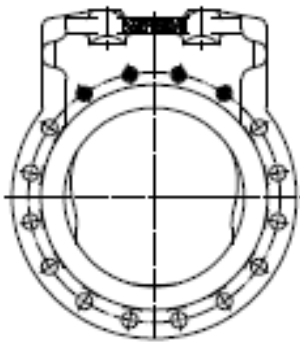
DN 80-200



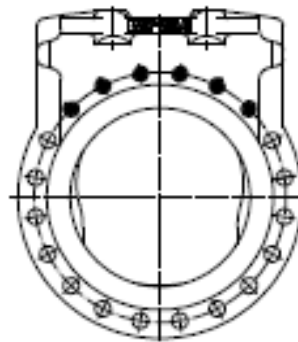
DN 250+300



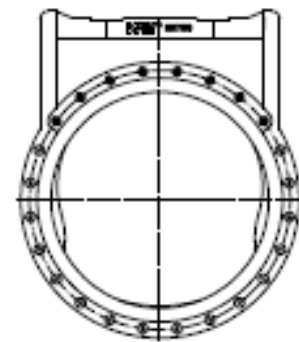
DN 350+400



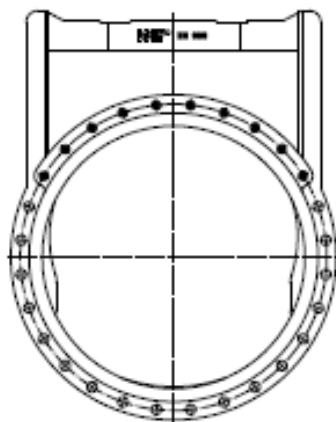
DN 450-600



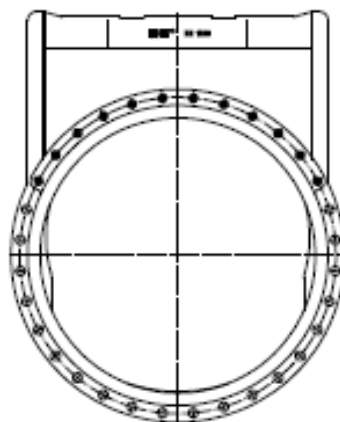
DN 700-800



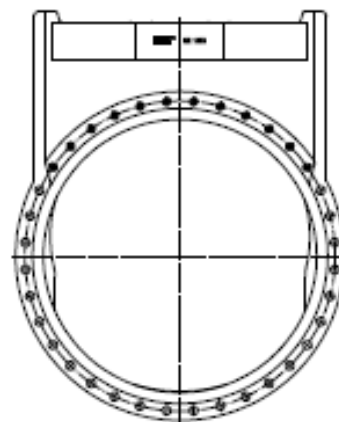
DN 900+1000



DN 1200



DN 1400



⊕ fori passanti  
● fori ciechi

DN 50 – 150

PN 16

DN 200 – 1400

PN 10