

## Wey Knife Gate Valve MGA PN 16

## 2.5.12

DN 50–600  
Standard construction

Materials acc. to data sheet 2.0.13

Coating acc. to data sheet 2.0.12

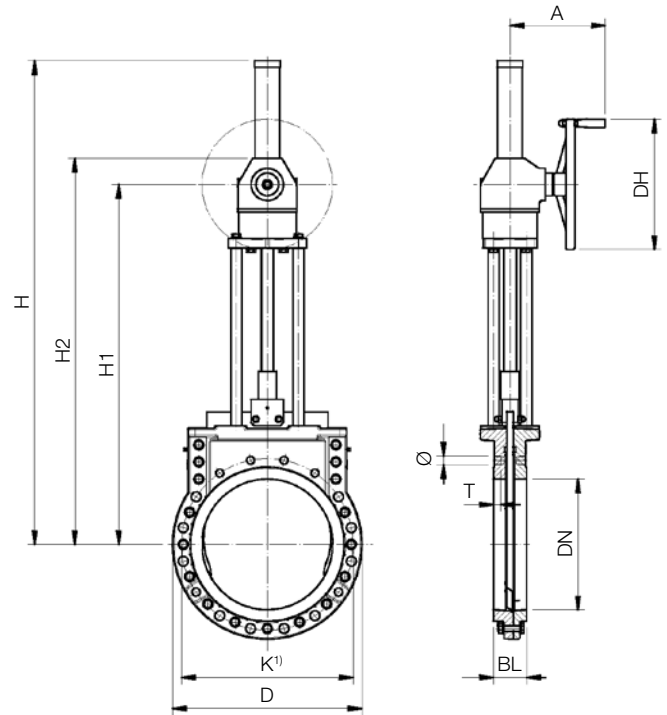
Flange drilling: PN 10/16 EN 1092 / ISO 7005

Face-to-face: EN 558-1 / ISO 5752 part 20

Nominal pressure PN: 16 bar

Operating pressure: Refer to table column OP

Test acc. EN 12266-1, rate A



DN	D PN 16	K PN 16 <sup>1)</sup>	BL	H	H1	H2	DH	A	Ø	T	Qty bolts	⊕	⊕	OP (bar) <sup>2)</sup>	Actuator Auma GK <sup>2)</sup>	i	Weight [kg]
<sup>4)</sup> 50	165	125	43	*	382	475	200	216	M16	17	4	4	–	16	10.2	1:1	19
<sup>4)</sup> 65	185	145	46	*	418	511	200	216	M16	12	8	4	4	16	10.2	1:1	19
<sup>4)</sup> 80	200	160	46	*	445	538	200	216	M16	14	8	4	4	16	10.2	1:1	20
<sup>4)</sup> 100	220	180	52	*	497	590	200	216	M16	14	8	4	4	16	10.2	1:1	24
<sup>4)</sup> 125	250	210	56	*	531	624	200	216	M16	16	8	4	4	16	10.2	2:1	29
150	285	240	56	*	580	673	200	216	M20	16	8	4	4	16	10.2	2:1	36
<sup>3)</sup> 200	340	295	60	850	665	750	250	221	M20	15	12	6	6	16	10.2	2:1	45
250	405	355	68	969	784	869	400	265	M24	17	12	6	6	16	10.2	2:1	72
300	460	410	78	1257	977	1057	400	290	M24	21	12	6	6	16	14.2	2.8:1	110
350	520	470	78	1340	1060	1140	500	225	M24	18	16	6	10	16	14.2	2.8:1	138
400	580	525	102	1526	1146	1226	500	301	M27	24	16	6	10	16	14.6	4:1	187
450	640	585	114	1610	1230	1310	800	320	M27	29	20	10	10	16	14.6	4:1	282
500	715	650	127	1771	1291	1371	800	320	M30	32	20	10	10	16	14.6	4:1	337
600	840	770	154	2123	1542	1623	1000	333	M33	42	20	10	10	16	16.2	5.6:1	555

\* protecting tube not necessary

<sup>1)</sup> Flange drilling PN 10 possible

<sup>2)</sup> All actuators are sufficient for specified pressure conditions on unproblematic media  
Other actuators acc. to various conditions are possible

<sup>3)</sup> DN 50–200 in material EN-GJS-400-15 (EN-JS1030) according type MF

<sup>4)</sup> DN 50–125 Bevel gear 45° turned