

Wey Knife Gate Valve MGC PN 16

2.5.31

DN 50–600
Standard construction

Materials acc. to data sheet 2.0.13

Coating acc. to data sheet 2.0.12

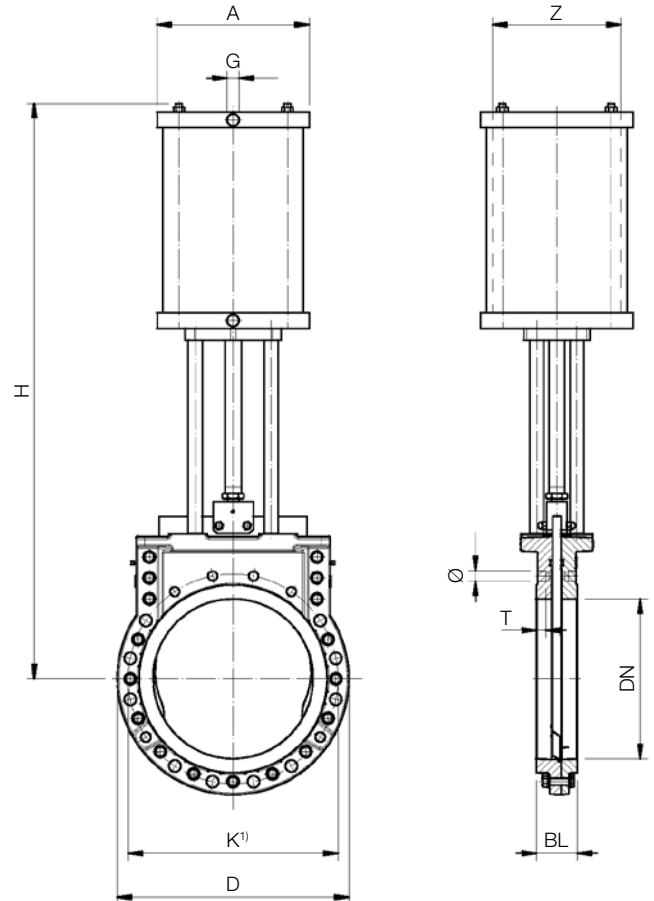
Flange drilling: PN 10/16 EN 1092 / ISO 7005

Face-to-face: EN 558-1 / ISO 5752 part 20

Nominal pressure PN: 16 bar

Operating pressure: Refer to table column OP

Test acc. EN 12266-1, rate A



DN	D PN 16	K PN 16 ¹⁾	BL	H	Z ²⁾	A	G	Ø	T	Qty bolts	⊕	⊕	OP (bar) ²⁾	Weight [kg]
50	165	125	43	402	100	140	ISO 228-G¼	M16	18	4	4	–	16	12
⁴⁾ 65	185	145	46	480	160	180	ISO 228-G¼	M16	12	8	4	4	16	16
⁴⁾ 80	200	160	46	522	160	180	ISO 228-G¼	M16	14	8	4	4	16	17
⁴⁾ 100	220	180	52	595	160	180	ISO 228-G¼	M16	14	8	4	4	16	23
⁴⁾ 125	250	210	56	678	200	220	ISO 228-G¼	M16	16	8	4	4	16	32
150	285	240	56	752	200	220	ISO 228-G¼	M20	16	8	4	4	16	39
³⁾ 200	340	295	60	916	250	270	ISO 228-G½	M20	15	12	6	6	16	56
250	405	355	68	1091	300	320	ISO 228-G½	M24	17	12	6	6	16	93
300	460	410	78	1271	350	380	ISO 228-G½	M24	21	12	6	6	16	234
350	520	470	78	1421	400	432	ISO 228-G¾	M24	18	16	6	10	16	334
400	580	525	102	1560	450	483	ISO 228-G¾	M27	24	16	6	10	16	437
⁴⁾ 450	640	585	114	1726	500	534	ISO 228-G¾	M27	29	20	10	10	16	620
500	715	650	127	1888	600	642	ISO 228-G¾	M30	32	20	10	10	16	1003
600	840	770	154					M33	43	20	10	10		

¹⁾ Flange drilling PN 10 possible

²⁾ Valid at a minimum control pressure 6 bar (unproblematic media)

Other cylinder sizes according to operating and control pressure are available

³⁾ DN 50–200 in material EN-GJS-400-15 (EN-JS1030) according type MF

⁴⁾ DN 65/80/100/125/250 Cylinder 45° turned