

Wey Knife Gate Valve MGE PN 10

2.5.40

DN 50–600
Standard construction

Materials acc. to data sheet 2.0.13

Coating acc. to data sheet 2.0.12

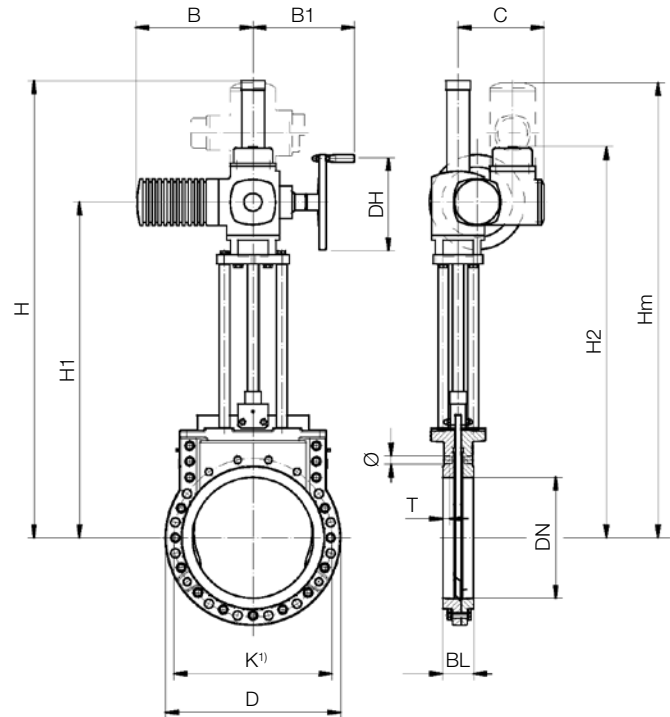
Flange drilling: PN 10/16 EN 1092 / ISO 7005

Face-to-face: EN 558-1 / ISO 5752 part 20

Nominal pressure PN: 10 bar

Operating pressure: Refer to table column OP

Test acc. EN 12266-1, rate A



| DN | D PN 10 | K PN 10 ¹⁾ | BL | H | H1 | H2 | Hm | DH | B max. | B1 | C | Ø | T | Qty bolts | ⊕ | ⊕ | OP (bar) ²⁾ | Actuator Auma SA ²⁾ | Weight [kg] |
|-------------------|------------|--------------------------|-----|------|------|------|------|-----|-----------|-----|-----|-----|----|-----------|----|----|---------------------------|-----------------------------------|----------------|
| 50 | 165 | 125 | 43 | * | 373 | 583 | 713 | 160 | 265 | 249 | 238 | M16 | 17 | 4 | 4 | – | 10 | 07.2 | 30 |
| 65 | 185 | 145 | 46 | * | 409 | 619 | 749 | 160 | 265 | 249 | 238 | M16 | 12 | 8 | 4 | 4 | 10 | 07.2 | 31 |
| 80 | 200 | 160 | 46 | * | 436 | 646 | 776 | 160 | 265 | 249 | 238 | M16 | 14 | 8 | 4 | 4 | 10 | 07.2 | 31 |
| 100 | 220 | 180 | 52 | * | 488 | 698 | 828 | 160 | 265 | 249 | 238 | M16 | 14 | 8 | 4 | 4 | 10 | 07.2 | 36 |
| 125 | 250 | 210 | 56 | * | 522 | 732 | 862 | 160 | 265 | 249 | 238 | M16 | 14 | 8 | 4 | 4 | 10 | 07.2 | 40 |
| 150 | 285 | 240 | 56 | 756 | 581 | 791 | 921 | 160 | 265 | 249 | 238 | M20 | 16 | 8 | 4 | 4 | 10 | 07.6 | 49 |
| 200 | 340 | 295 | 60 | 841 | 666 | 876 | 1006 | 160 | 265 | 249 | 238 | M20 | 15 | 8 | 2 | 6 | 10 | 07.6 | 62 |
| ³⁾ 250 | 405 | 350 | 68 | 1069 | 787 | 997 | 1127 | 200 | 283 | 254 | 248 | M20 | 17 | 12 | 6 | 6 | 10 | 10.2 | 89 |
| 300 | 460 | 400 | 78 | 1265 | 967 | 1193 | 1375 | 315 | 389 | 336 | 286 | M20 | 21 | 12 | 6 | 6 | 10 | 14.2 | 147 |
| 350 | 520 | 460 | 78 | 1348 | 1050 | 1276 | 1458 | 315 | 389 | 336 | 286 | M20 | 16 | 16 | 6 | 10 | 10 | 14.2 | 171 |
| 400 | 580 | 515 | 102 | 1534 | 1136 | 1362 | 1544 | 315 | 389 | 336 | 286 | M24 | 24 | 16 | 6 | 10 | 10 | 14.2 | 220 |
| ⁴⁾ 450 | 640 | 565 | 114 | 1618 | 1220 | 1446 | 1628 | 400 | 389 | 339 | 286 | M24 | 29 | 20 | 10 | 10 | 10 | 14.6 | 310 |
| ⁴⁾ 500 | 715 | 620 | 127 | 1779 | 1281 | 1507 | 1689 | 400 | 389 | 339 | 286 | M24 | 28 | 20 | 10 | 10 | 10 | 14.6 | 375 |
| ⁴⁾ 600 | 840 | 725 | 154 | 2056 | 1539 | 1769 | 1951 | 500 | 430 | 365 | 307 | M27 | 33 | 20 | 10 | 10 | 10 | 16.2 | 594 |

* Protecting tube not necessary

¹⁾ Flange drilling PN 16 possible

²⁾ All actuators are sufficient for specified pressure conditions on unproblematic media
Other actuators acc. to various conditions are possible

³⁾ DN 50–200 in material EN-GJS-400-15 (EN-JS1030) according type MF

⁴⁾ DN 450/500/600 actuator 90° turned