

Wey Knife Gate Valve MHC

2.6.30

DN 100–400
Standard construction

Actuation by double acting pneumatic cylinder

Air supply pressure 6–8 bar

Material acc. to data sheet 2.0.13

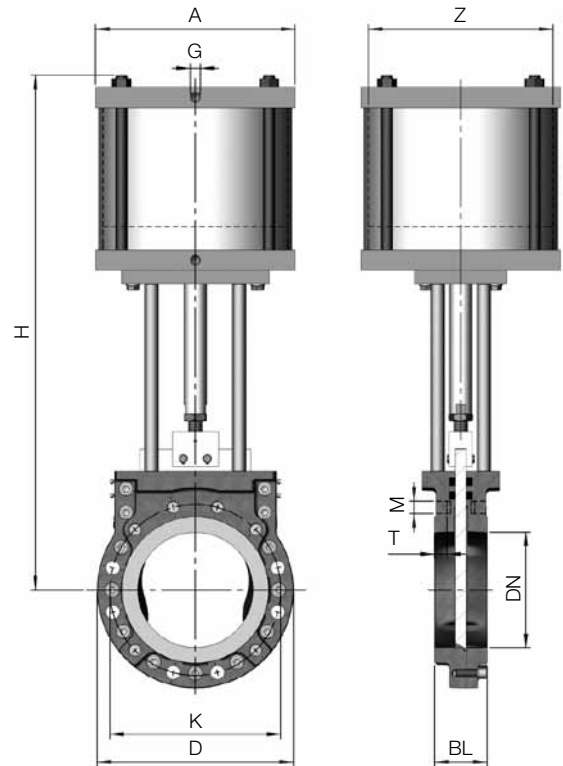
Coating acc. to data sheet 2.0.12

Flange drilling: PN 25 EN 1092 / ISO 7005 (DIN 2501)

Face to Face: EN 558 / ISO 5752 Series 16 (DIN 3202 K3)

Nominal pressure PN: 25 bar

Test pressure acc. to EN 12266 Leakage rate A



DN	D	K	BL	M	T	Qty bolts	Qty. tapped holes	Qty. through bore	Actuator*				Weight [kg]
									Z	H	A	G ISO 228	
100	235	190	64	20	15	8	4	4	160 ¹⁾	595	180	G ¼"	31
									200 ¹⁾	619	220	G ¼"	33
									250 ¹⁾	648	270	G ½"	35
125	270	220	70	24	17	8	4	4	160	682	180	G ¼"	40
									200	706	220	G ½"	42
									250	735	270	G ½"	44
150	300	250	76	24	17	8	4	4	160	732	180	G ¼"	47
									200	752	220	G ¼"	51
									250	781	270	G ½"	55
200	360	310	89	24	21	12	6	6	200	956	220	G ¼"	81
									250	985	270	G ½"	87
									300	992	320	G ½"	98
250	425	370	114	27	27	12	6	6	250	1115	270	G ½"	126
									300	1122	320	G ½"	138
									400	1115	432	G ¾"	320
300	485	430	114	27	27	16	6	10	250	1285	270	G ½"	167
									300	1278	320	G ½"	178
									400	1288	432	G ¾"	362
350	555	490	127	30	31	16	6	10	300	1425	320	G ½"	232
									400	1422	432	G ¾"	425
									500	1448	534	G ¾"	573
400	620	550	140	33	35	16	6	10	300	1598	320	G ½"	320
									400	1604	432	G ¾"	517
									500	1630	534	G ¾"	675
									600	1680	642	G ¾"	985

* Actuator size will be selected according to operating conditions