

## Wey Knife Gate Valve MHE

**2.6.40**

DN 100–400  
Standard construction

Valve operated by electrical actuator 3 × 400 V, 50 Hz, with rising stem

Material acc. to data sheet 2.0.13

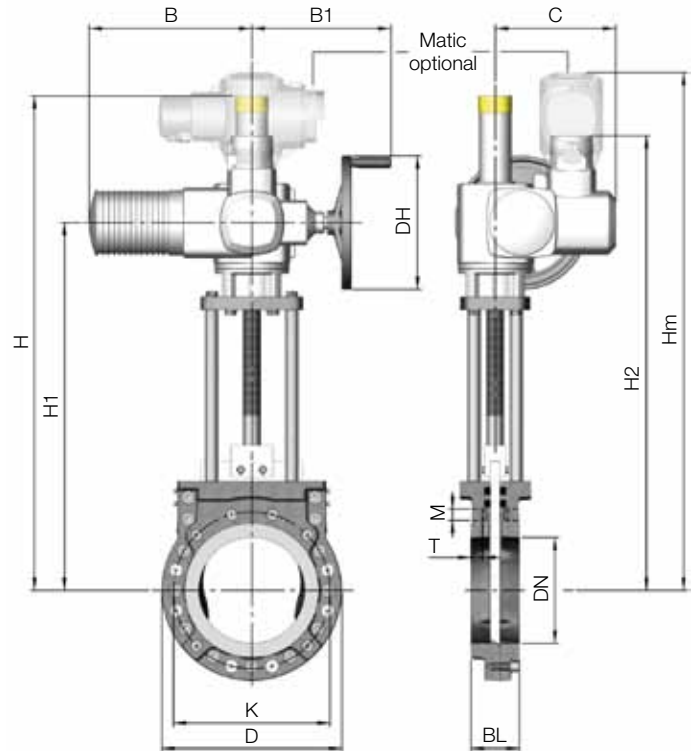
Coating acc. to data sheet 2.0.12

Flange drilling: PN25 EN 1092 / ISO 7005 (DIN 2501)

Face to Face: EN 558 / ISO 5752 Series 16 (DIN 3202 K3)

Nominal pressure PN: 25 bar

Test pressure acc. to EN 12266 Leakage rate A



DN	D	K	BL	M	T	Qty bolts	Qty tapped holes	Qty through through	Actuator*									Weight [kg]
									Typ SA	H	H1	H2	Hm	DH	B	B1	C	
100	235	190	64	20	15	8	4	4	7.6 <sup>1)</sup>	708	498	585	838	200	265	249	238	45
									10.2 <sup>1)</sup>	710	500	595	840	200	283	254	248	50
125	270	220	70	24	17	8	4	4	7.6	770	560	647	900	200	265	249	238	53
									10.2	772	562	657	902	200	283	254	248	58
150	300	250	76	24	17	8	4	4	10.2	765	583	778	928	200	282	254	247	68
									14.2 <sup>1)</sup>	786	683	888	1038	315	384	329	222	100
200	360	310	89	24	21	12	6	6	10.2	920	737	932	1082	200	282	254	247	98
									14.2	985	787	992	1142	315	384	329	285	125
250	425	370	114	27	27	12	6	6	14.2	1065	867	1072	1222	315	384	329	285	165
									14.6	1065	867	1072	1222	400	384	329	285	178
300	485	430	114	27	27	16	6	10	14.2	1285	967	1192	1342	315	384	335	285	205
									14.6	1285	967	1192	1342	400	384	335	285	215
									16.2	1235	1022	1272	1422	500	510	354	330	250
350	555	490	127	30	31	16	6	10	14.2	1368	1070	1275	1425	315	384	335	285	260
									14.6	1368	1070	1275	1425	400	384	335	285	268
									16.2	1417	1105	1355	1505	500	510	354	330	305
400	620	550	140	33	35	16	6	10	14.2	1591	1193	1398	1548	315	384	335	285	340
									14.6	1591	1193	1398	1548	400	384	335	285	342
									16.2	1540	1228	1433	1628	500	510	354	330	380

<sup>1)</sup> 45° turned

\* Actuator size will be selected according to operating conditions