

## Wey Knife Gate Valve MHH

**2.6.50**

DN 100–400  
Standard construction

Actuation by double acting oil hydraulic cylinder

Oil supply pressure 120 bar

Material acc. to data sheet 2.0.13

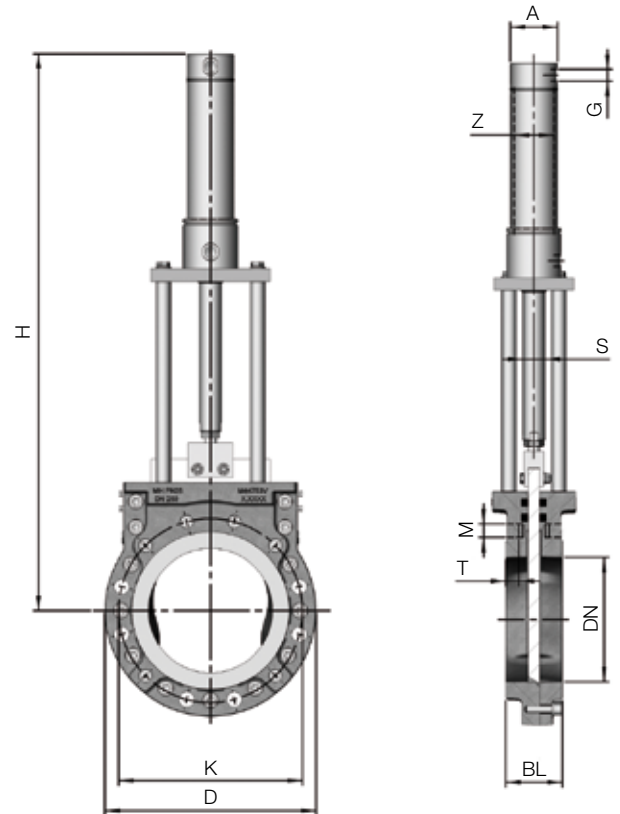
Coating acc. to data sheet 2.0.12

Flange drilling: PN 25 EN 1092 / ISO 7005 (DIN 2501)

Face to Face: EN 558 / ISO 5752 Series 16 (DIN 3202 K3)

Nominal pressure PN: 25 bar

Test pressure acc. to EN 12266 Leakage rate A



DN	D	K	BL	M	T	Qty bolts	Qty tapped holes	Qty through bore	Actuator*				G ISO 228	Weight [kg]
									Z	S	H	A		
100	235	190	64	20	15	8	4	4	40	22	581	50	G 3/8"	30
									50	28	606	60	G 3/8"	32
									63	36	617	75	G 1/2"	35
125	270	220	70	24	17	8	4	4	40	22	668	50	G 3/8"	39
									50	28	690	60	G 3/8"	40
									63	36	707	75	G 1/2"	42
150	300	250	76	24	17	8	4	4	50	28	736	60	G 3/8"	46
									63	36	753	75	G 1/2"	49
									80	45	790	95	G 3/4"	59
200	360	310	89	24	21	12	6	6	50	28	935	60	G 3/8"	72
									63	36	952	75	G 1/2"	75
									80	45	989	95	G 3/4"	86
250	425	370	114	27	27	12	6	6	63	36	1082	75	G 1/2"	110
									80	45	1119	95	G 3/4"	121
									100	56	1127	115	G 3/4"	135
300	485	430	114	27	27	16	6	10	63	36	1252	75	G 1/2"	149
									80	45	1289	95	G 3/4"	161
									100	56	1297	115	G 3/4"	175
350	555	490	127	30	31	16	6	10	80	45	1423	95	G 3/4"	213
									100	56	1431	115	G 3/4"	225
									125	70	1464	140	G 3/4"	231
400	620	550	140	33	35	16	6	10	80	45	1596	95	G 3/4"	304
									100	56	1606	115	G 3/4"	317
									125	70	1637	140	G 3/4"	345
									140	80	1667	170	G 1"	381

\* Actuator size will be selected according to operating conditions