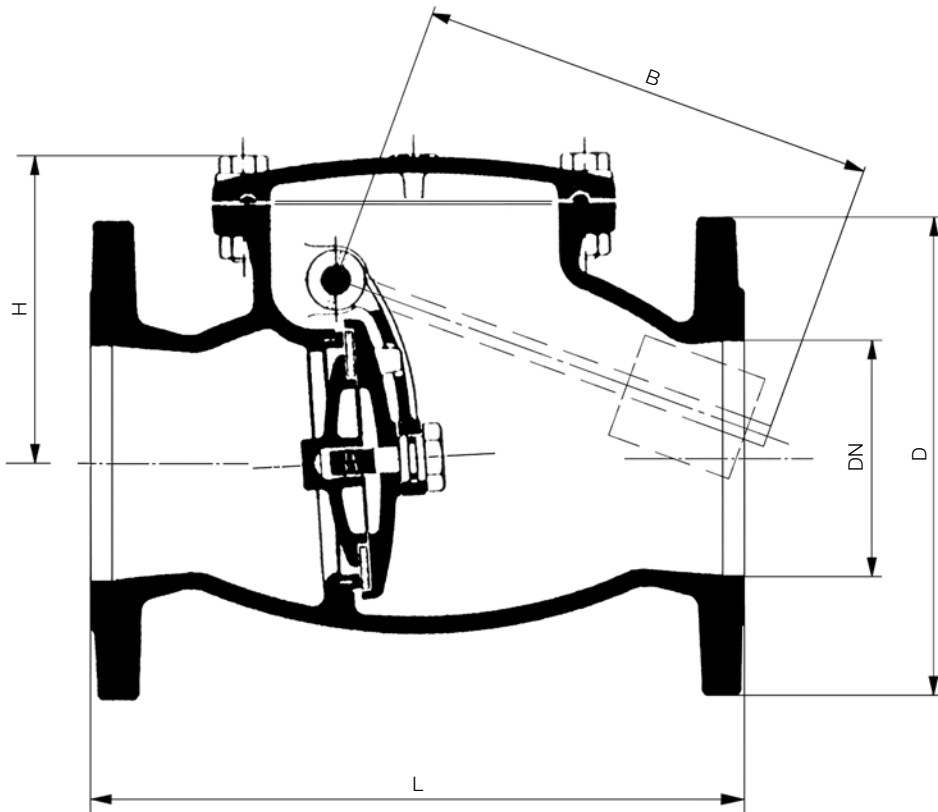


Check Valve 460

6.1.12



DN	L	H	D	B	LK Ø	Qty Screws	Weight kg
300	700	390	445	250	400	12 x M20	270
350	800	440	505	400	460	16 x M20	355
400	900	475	565	400	515	16 x M24	480

Standard Construction

Body:	Cast Iron EN-JL1040
Disc:	Cast Iron EN-JL1040
Seat:	Chrome Steel
Seal:	NBR
Shaft:	Chrome Steel
Bearing:	PTFE
Nominal pressure:	10 bar
Flange drilling:	PN 10/16 EN 1092 / ISO 7005
Face-to-face:	EN 558-1 / ISO 5752 part 14