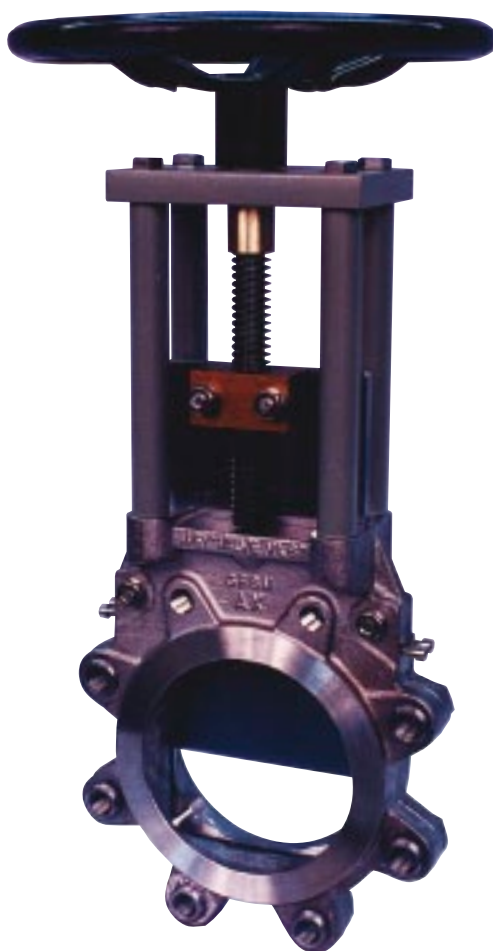


High Performance Cast Stainless Steel Knife Gate Valve



The WEY Model VL is truly a high performance Knife Gate Valve design. This valve provides ZERO leakage bi-directional shutoff, has mechanically retained seals, has a compact non-rising stem design, and can be repacked in service under full pressure. The chest and seating areas of the valve are self cleaning. The reduced chest area, minimal gate arc, and contoured flushing corners in the body prevent jamming by eliminating material build-up in the chest, body and seating area. The gate seals against a combination metal and resilient seat and is guided for the full stroke length of the valve. The top “transverse” seal is re-packable while in service under full pressure. The valve is tested and rated for ZERO leakage (liquid or gas) downstream and to atmosphere.

Model VL Characteristics

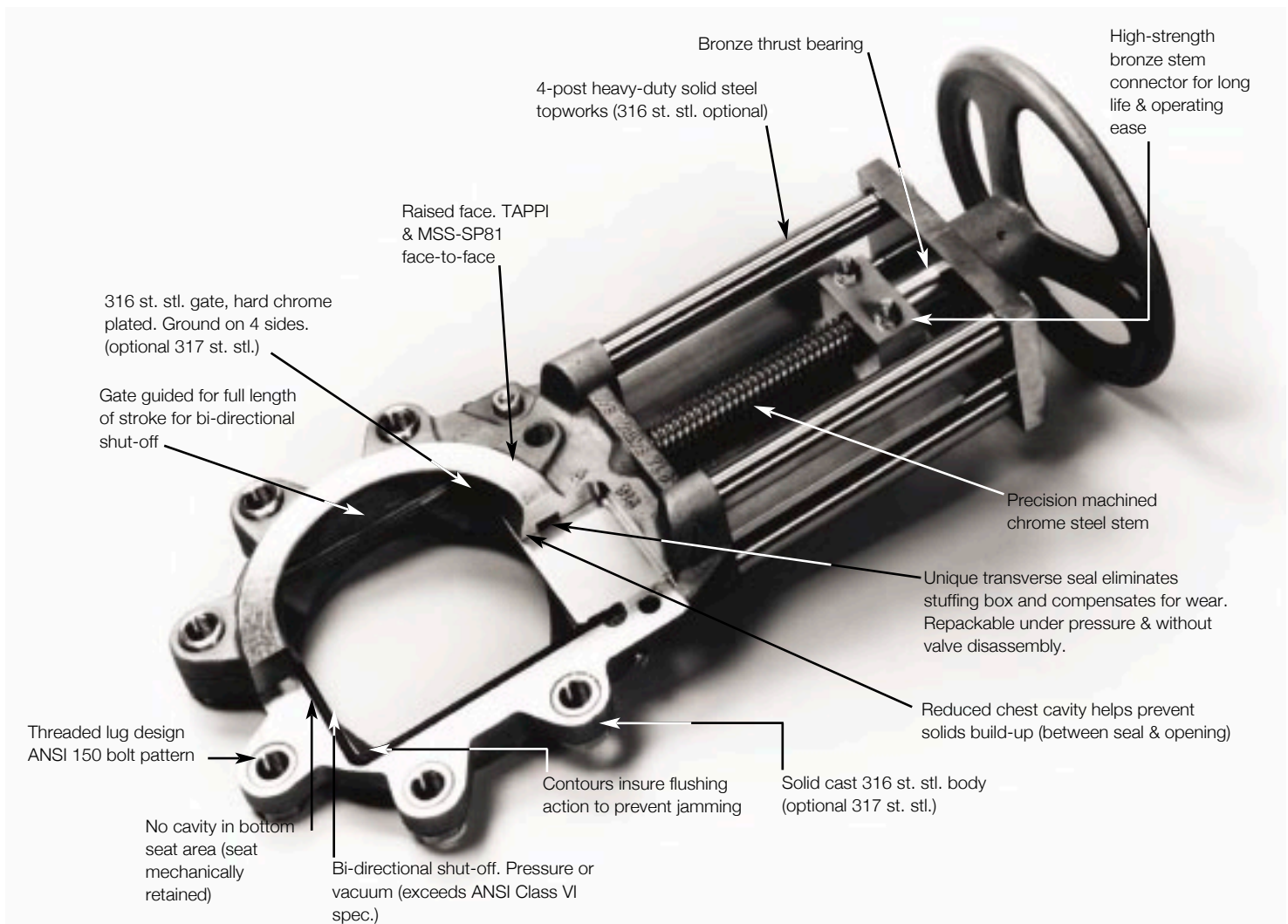
- Solid 316 SS cast lugged body
- 316 SS hard chrome finished gate
- Atlas seals standard
- Phenolic Scraper Blades standard
- 2"-36" size
- TAPPI & MSS-SP81 Face-to-Face
- 150 psi CWP design
- 2"-12" 150 psi shut-off
- 14"-36" 90 psi shut-off
- Higher pressure ratings available
- Other body, gate, scraper and seal materials available
- All styles of actuators available

The WEY Model VL is specifically designed to meet the requirements of tough slurry, chemical and dry material handling applications. Typical applications include, but are not limited to, Pulp Stock, Air Conveyed Fly Ash and Cement, Waste Water, Abrasive Slurry and Sludge. These valves are successfully applied in the Pulp & Paper, Mining, Power, Steel, Municipal, Automotive, Chemical and Refining industries. There are applications for the VL product in virtually all industries.

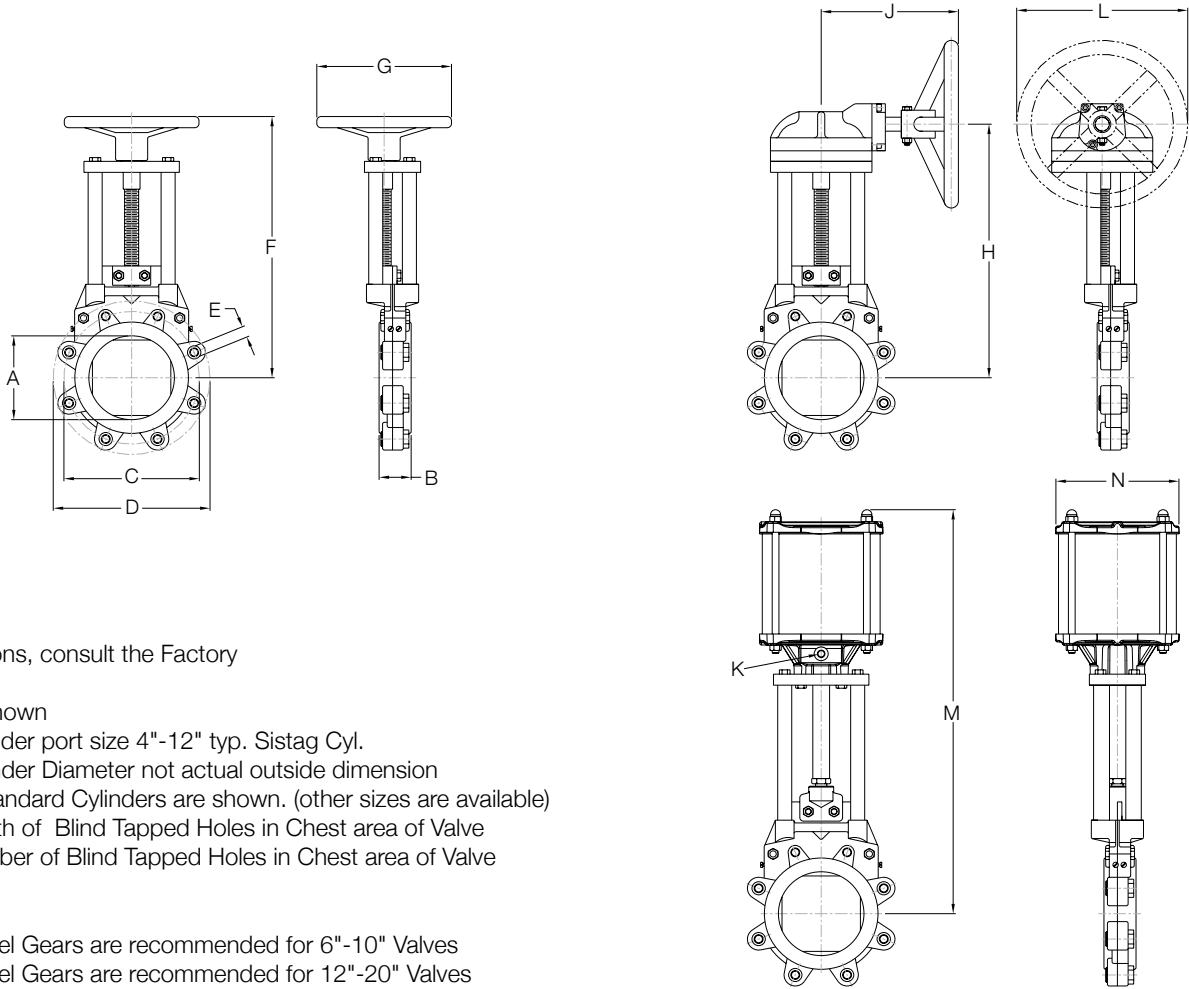
The WEY Model VL High Performance Knife Gate Valve combines rugged construction with time-tested design features found in no other knife gate valve. If you are experiencing knife gate valve failures, try a precision-built WEY Knife Gate Valve. You will wish all of your knife gate valves were WEY High Performance Knife Gate Valves.

Compare these unique features

1. Transverse seal eliminates stuffing box and permits repacking under full pressure and without system shut-down.
2. | Mechanically retained resilient seat provides dual metal-to-metal and resilient seating for ZERO leakage bi-directional shut-off from full vacuum to rated valve pressure.
3. | Bi-directional design. Gate is guided and supported for smooth operation throughout the entire stroke with flow in both directions.
4. | Contoured interior body design promotes flushing action to prevent build-up of process media in the seating area.
5. | Solid steel or stainless steel topworks provide maximum strength to prevent damage due to operator abuse or vibrating conditions.
6. | Non-rising stem design saves space and reduces stem nut repair problems.



Model VL Valve



Dimensions, consult the Factory

*Valve Shown

D = Cylinder port size 4"-12" typ. Sistag Cyl.

N = Cylinder Diameter not actual outside dimension

Note: Standard Cylinders are shown. (other sizes are available)

O = Depth of Blind Tapped Holes in Chest area of Valve

P = Number of Blind Tapped Holes in Chest area of Valve

Note:

(3:1) Bevel Gears are recommended for 6"-10" Valves

(4:1) Bevel Gears are recommended for 12"-20" Valves

(6:1) Bevel Gears are recommended for 24" and larger Valves

Consult factory for Special Applications

Valve Size	A	B	C	D	E	F	G	H	J	K _{NPT}	L	M	N	O	P
2"	2	1.87	4.75	6.00	5/8"	10.90	5.90	–	–	1/4"	–	15.25	4"	–	–
3"	3	2.00	6.00	7.50	5/8"	12.44	7.87	–	–	1/4"	–	17.80	4"	–	–
4"	4	2.00	7.50	9.00	5/8"	15.47	11.81	–	–	1/4"	–	20.75	4"	0.86	4
6"	6	2.25	9.50	11.0	3/4"	19.57	15.75	18.15	11.50	1/4"	12	27.28	6"	0.94	4
8"	8	2.75	11.75	13.5	3/4"	22.72	15.75	21.29	11.50	1/4"	12	32.40	6"	1.12	4
10"	10	2.75	14.25	16.0	7/8"	26.65	15.75	24.84	11.50	1/4"	16	38.90	8"	0.75	8
12"	12	3.00	17.00	19.0	7/8"	29.80	19.69	28.93	14.75	3/8"	16	44.21	10"	0.83	8
14"	14	3.00	18.75	21.0	1"	–	–	34.42	14.75	3/8"	18	54.25	10"	0.78	8
16"	16	3.50	21.25	23.5	1"	–	–	35.74	14.75	3/8"	18	61.50	12"	0.94	8
18"	18	3.50	22.75	25.0	1-1/8"	–	–	40.75	14.75	3/8"	18	67.50	12"	0.98	12
20"	20	4.50	25.00	27.5	1-1/8"	–	–	44.66	16.75	3/4"	24	74.25	14"	1.37	12
24"	24	4.50	29.50	32.0	1-1/4"	–	–	53.75	23.50	3/4"	24	86.25	16"	1.22	12
30"	30	4.62	36.00	38.7	1-1/4"	–	–	63.77	23.50	3/4"	24	97.50	16"	0.98	20



Other Wey Valve Products



Model DB
(Lugged Design)



Model VS
(Semi-Lugged Design)



Model NA1
(Full Flange Design)



Model SG
(Shear Gate)



Model T13
(Transmitter Isolation)



Model A3
(Full Flange 300 psi Design)

Other Specialty Wey Valves



Model VK
Square and Rectangle Valves



Model HD
High Pressure Knife Gate Valve
(to 1440 psi)



Model HSI
High Speed
Isolation Valve

ALL INFORMATION IN THIS PUBLICATION PRESENTED FOR REFERENCE ONLY AND SUBJECT TO CHANGE